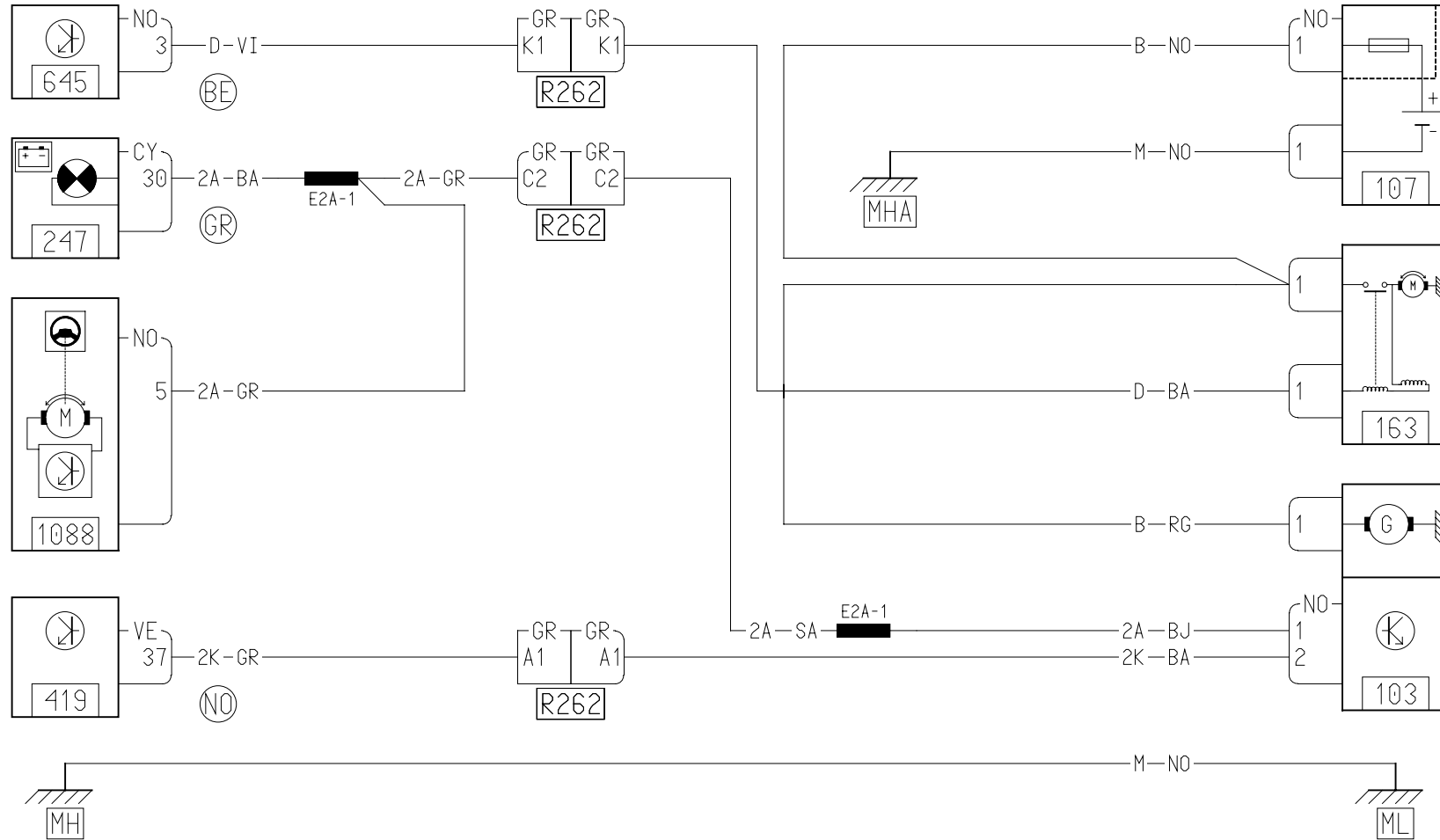


F4R790,F4R794,F9Q820,G9T742

X81

02



3-37